

Introducing Lowel Prime LED

Powerful Output, Wide Coverage

Lowel is proud to present the first two models in a new series of LED fixtures, designed to bring studio quality to full fledged production facilities, and short-term location setups as well.

Lowel Prime™ LED's are brighter than many similarly sized production LED's. Their wider 50° beam angle makes their output more usable.



LOWEL Prime™ LED
New Product Sheet

Features

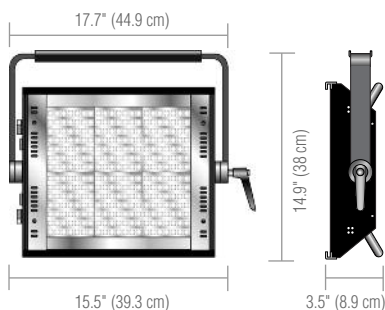
- All models available in Daylight or Tungsten color, with Color Rendering Index - 91+
- DMX & manually dimmable
- All models auto-set to 90-240VAC
- Quiet fanless operation
- Available in hanging C-clamp, or stand mount versions

Accessories

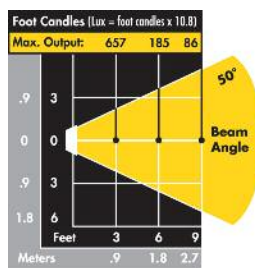
- Barn Doors
- Honeycomb Grids
- Front Diffusers



Prime LED 200 (Daylight or Tungsten color)

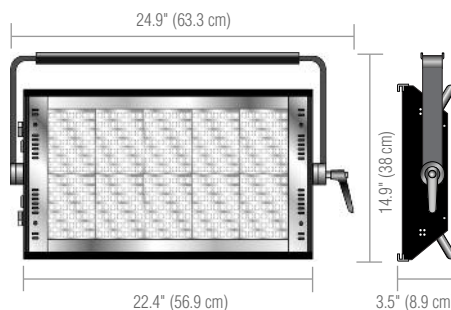


Codes: PRM-200TU (Tungsten)
PRM-200DA (Daylight)
Weight: 13.5 lbs (6 kg)
Supplied with: Gel Frame, Safety Cables (3), Standard C-Clamp, 5/8" Stand Fitting and applicable AC Cable. Other mounting devices & AC cable connection options are available.

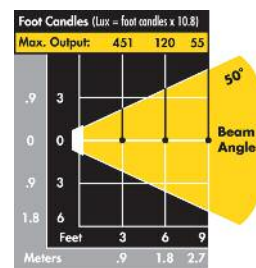


Color Temperature:
3200°K (Tungsten model)
5600°K (Daylight model)
Beam Angles: points at which intensity drops to 50% of maximum. Foot Candle readings taken at center of beam, with Minolta CL-200 meter.

Prime LED 400 (Daylight or Tungsten color)



Codes: PRM-400TU (Tungsten)
PRM-400DA (Daylight)
Weight: 17.5 lbs (7.9 kg)
Supplied with: Gel Frame, Safety Cables (3), Standard C-Clamp, 5/8" Stand Fitting and applicable AC Cable. Other mounting devices & AC cable connection options are available.



Color Temperature:
3200°K (Tungsten model)
5600°K (Daylight model)
Beam Angles: points at which intensity drops to 50% of maximum. Foot Candle readings taken at center of beam, with Minolta CL-200 meter.



Lowel-Light Manufacturing, Inc.
90 Oser Avenue, Hauppauge, NY, 11788
Call: 800 645-2522 • 631 273-2500

NOTE: This is a preliminary new product announcement that will be updated regularly, as new information and release schedules become available. We expect Lowel Prime LED equipment to be released shortly.

