

Lowel Prime LED

Strong Output. Wide Beam Angle.

LOWEL Prime LED™
New Product Sheet



Lowel is proud to present the first two models in a new series of LED fixtures, designed to bring studio quality to full fledged production facilities, and short-term location setups as well.

Lowel Prime™ LED's are brighter than many similarly sized production LED's. Their wider 50° beam angle makes their output more usable.



Features

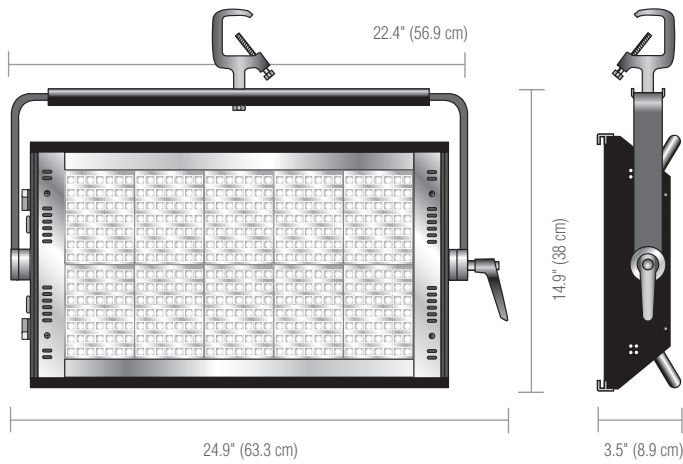
- All models available in Daylight or Tungsten color, with Color Rendering Index - 91+
- DMX & manually dimmable
- All models auto-set to 90-240VAC
- Quiet fanless operation
- Supplied with hanging C-clamp and 5/8" stand mounts, and applicable AC cables for studio or location use.

Accessories

- Barn Door Softening Set
- Honeycomb Grids



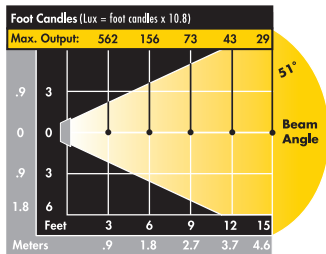
Prime LED 400 (Tungsten or Daylight color)



Codes: PRM-400TU (Tungsten)
PRM-400DA (Daylight)
Weight: 17.5 lbs (7.9 kg)

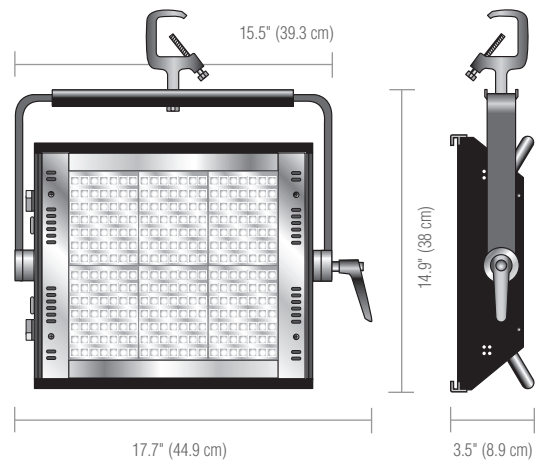
Supplied with: Gel Frame, Safety Cable, Standard C-Clamp, 5/8" Female Stand Fitting, switched T1-80 AC Cable, and unswitched T1-808 AC Cable.

Other mounting devices & AC cable connection options are available.



Color Temperature:
3300°K (Tungsten model)
5600°K (Daylight model)
Beam Angles: points at which intensity drops to 50% of maximum. Foot Candle readings taken at center of beam, with Minolta CL-200 meter, using Tungsten color fixture.

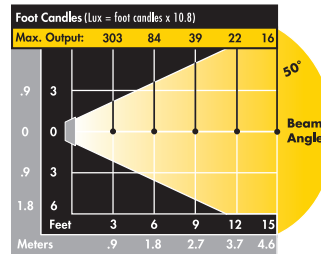
Prime LED 200 (Tungsten or Daylight color)



Codes: PRM-200TU (Tungsten)
PRM-200DA (Daylight)
Weight: 13.5 lbs (6 kg)

Supplied with: Gel Frame, Safety Cable, Standard C-Clamp, 5/8" Female Stand Fitting, switched T1-80 AC Cable, and unswitched T1-808 AC Cable.

Other mounting devices & AC cable connection options are available.



Color Temperature:
3300°K (Tungsten model)
5600°K (Daylight model)
Beam Angles: points at which intensity drops to 50% of maximum. Foot Candle readings taken at center of beam, with Minolta CL-200 meter, using Tungsten color fixture.

Lowel Prime Accessories

Prime Barndoor Softening Set

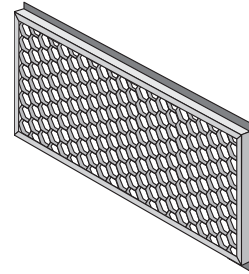
Due to the 'multi point-source' nature of most LED fixtures, it is common to have an undesired multi-shadow effect, when using barndoors to trim the beam. This set includes a 4 way barndoor, subtle diffusion gel, and Gel-jawz clips, to minimize multi-shadow, while still allowing a visible barndoor cut.



Includes: 4 way adjustable Barndoor, Prime Lite Diffusion Gel, Lowel Gel-jawz (4)
Codes: PRM-420 (Model 400)
PRM-220 (Model 200)

Honeycomb Grid

Honeycomb grids control the spill of the light, by attaching to the front of the fixture. The grids are available in 20 or 30 degree dispersions. Honeycomb Grids cause some loss of light output.



20° Honeycomb Output Loss - aprox 54%
Codes: PRM-432 (Model 400)
PRM-232 (Model 200)

30° Honeycomb Output Loss - aprox 35%
Codes: PRM-433 (Model 400)
PRM-233 (Model 200)

NOTE: This is a preliminary new product announcement that will be updated regularly, as new information and release schedules become available. We expect Lowel Prime LED equipment to be released shortly.