

General Warnings

The Lowel Caselite is a professional lighting system. Read these instructions and lamp manufacturers' warnings before operating.

- Do not leave Caselite unattended. For non-stationary (portable location) use.
- Not for household use. Use only for photo graphic lighting(video & film imaging).
- Do not exceed maximum rated wattage for unit.
- Use maximum 55 Watt lamps.
- Always unplug unit before relamping.
- Be sure lamp is securely seated in lamp socket.
- Do not use near standing water.
- Internal ballast produces high start-up voltage.
- Never bypass plug's ground pin.
- Do not interfere with unit's ventilation.

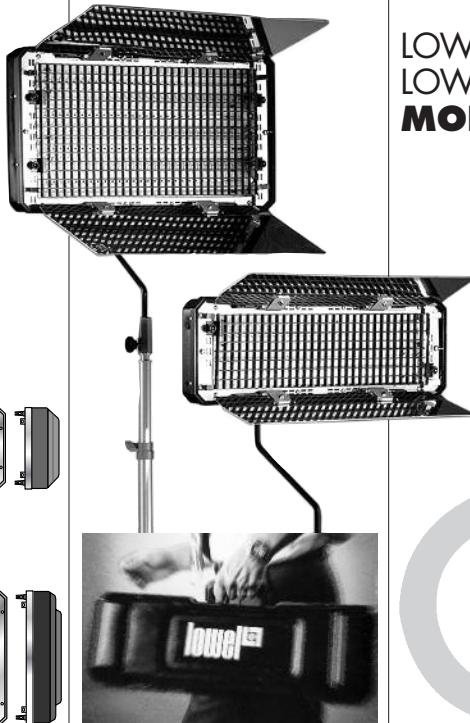
- When attaching to overhead pipes or grids, always use a Safety Cable.
- Do not attempt to open unit, no user serviceable parts inside. See p. 6 for fuse change.
- This is a portable location light. It complies with UL 1573for still photographic lights when used with the supplied T1-80 cable. For use as a portable stage lighting unit use with Lowel T1-808 10' unswitched cable rated for 'hard service'.

Fluorescent Warnings

- Avoid looking directly at the tubes for extended periods of time.
- Fluorescent tubes contain highly poisonous mercury.
- In the event of lamp breakage, avoid contact with broken pieces.
- Read lamp manufacturers information fully.

Contents

Opening the Unit	2
Stand Mounting	2
Tilting & Pointing	2
Controlling Light Intensity	3
Fuse Change	3
Lamps & Lamp Changes	3
Light Controls	4
Barndoor/Intensifiers	4
Egg Crates	4
Gel Clips	4
Closing/Transporting	4
Problems, Repairs &	4



Caselite 2 Uses 2 lamps



Caselite 4 Uses 4 lamps



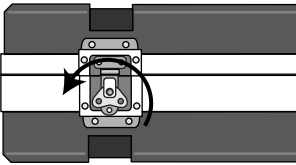
LOWEL CASELITE 4
LOWEL CASELITE 2
MODEL CE



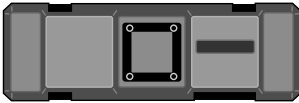
Caselite® Operations

Opening the Unit

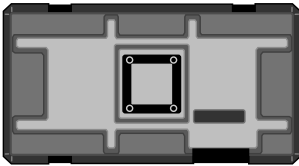
Laying the Caselite down, with its rear mounting adaptor facing up, release the twist-locks and lift the fixture half straight up off the lid half. Lay the fixture down with its exterior facing up. Release the interior flap locking straps on the lid to allow opening of the storage compartment. Remove the Mounting Plate, Stand-fitting Tilt-bracket (& Uni Sr. Stand, if stored in lid).



Caselite 2

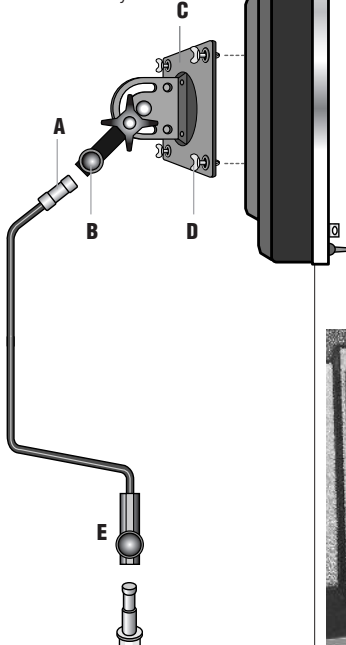


Caselite 4



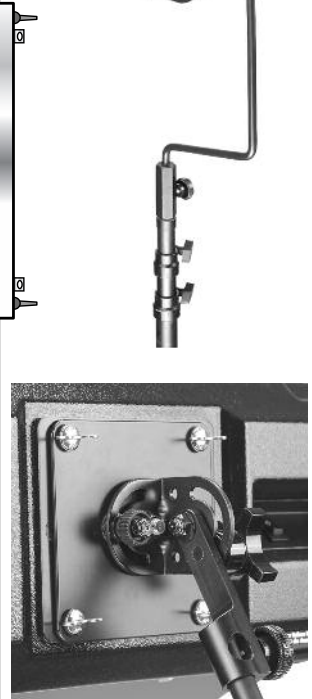
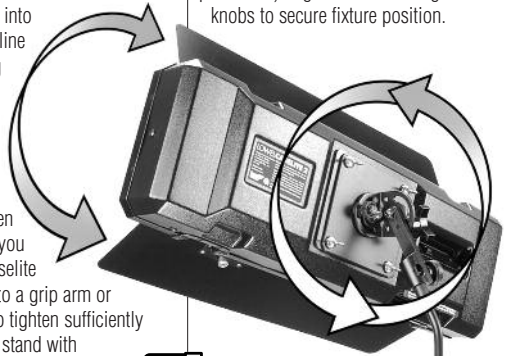
Stand Mounting

With the Caselite fixture face down, attach the mounting plate **C** to the adaptor receptacle in the center of the fixture, as shown. Turn the 4 twist-lock knobs **D** to lock the plate firmly to the fixture. Mount Stand-fitting Tilt-bracket **A** onto stand (5/8" stud) and tighten knob **E**. Loosen large locking knob **B** on Mounting Plate, lift Caselite and insert stud end of stand fitting bracket **A** into Mounting Plate fitting. Note that the Tilt-bracket stud has a safety indent cut into it. Make sure to line up the Mounting Plate knob so that its screw will tighten into the indent, for most secure mounting. Tighten **B** sufficiently. If you are attaching Caselite Mounting Plate to a grip arm or boom, be sure to tighten sufficiently and use a larger stand with counter balance weight to retain stability.



Tilting & Pointing

The Stand-fitting Tilt-bracket is designed to place the fixture's center of gravity squarely over the center of the stand, while allowing a complete range of rotation and tilting. With the fixture mounting plate tightly mounted to the Tilt-bracket, loosen the large locking knob slightly to tilt the light on one axis (up & down) and the smaller locking knob to rotate the light on the other axis (vertical vs horizontal placement). Tighten both locking knobs to secure fixture position.



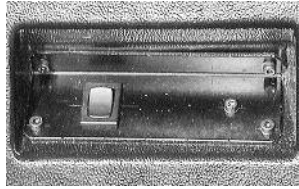
Controlling Light Intensity

Light intensity is controlled through the lamp switches. In each CE model Caselite, the AC to the fixture is controlled by a switch on the power cable, and then the lamps are controlled in pairs by switches on the back panel.

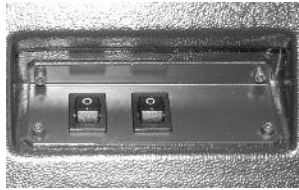
A To turn the fixture on, Click the power switch on the AC cable.

B Operate the switches on the back of the unit to turn the lamp pairs on. By using these switches, you will be able to control light intensity level. (Caselite2 has one switch to control its 2 lamps)

Caselite 2 Switch



Caselite 4 Switches



Fuse Change

The Caselites come with a user-replaceable mini fuse which is installed in a small holder on the same plate as the exterior AC power socket. Access the fuse by removing the cap with a small flathead screwdriver. Swap fuse if necessary and replace holder.

Caselite2 CE model

uses fuses rated at 2.5 Amps and 250 Volts.

Caselite4 CE model

uses fuses rated at 3.15 Amps and 250 Volts.

Voltage Selector & Fuse Change.

The CE model has an auto voltage setting ballast. The Caselite will set itself automatically from 120 - 240v.

Lamps & Lamp Changes

Lamps

The Caselites use compact (55 watt) fluorescent lamps.

GE Cinema-Plus® Lamps

(Manufacturer rated lamp life 8,000 hrs)

Better lighting for film (still or motion picture) due to better color rendering with film emulsions. May require "minus green" filtration gel (1/8).

Tungsten	CRI	°K
FLC55-TU Cine-Plus 55w/	90+	3200

Daylight	CRI	°K
FLC55-DA Cinema-Plus 55w	90+	5500

Osram Studioline® Lamps

(Manufacturer rated lamp life 8,000 hrs)

Designed for use in video & digital imaging for higher output.

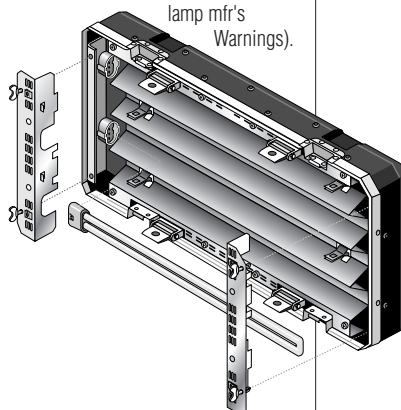
Tungsten	CRI	°K
FLS-55TU Studioline 55w/3200	85	3200

Daylight	CRI	°K
FLS-55DA Studioline 55w/5600	85	5600

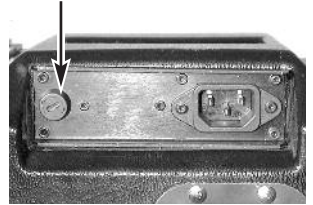
Lamp Changes

To change a lamp, remove the plastic eggcrate (if attached) by releasing the snap-locks on each end. Remove both metal endplates by turning the twist-locks (see illus.). Note that the light-tube sockets are installed on alternating ends of the fixture. To remove a tube, gently grasp it by its glass end and swing it slightly out from the fixture while pulling it carefully from the socket. Replace lamp in same way, opposite order. (Be very careful as lamp-tubes are fragile and can easily shatter. Read

lamp mfr's Warnings).



Fuse

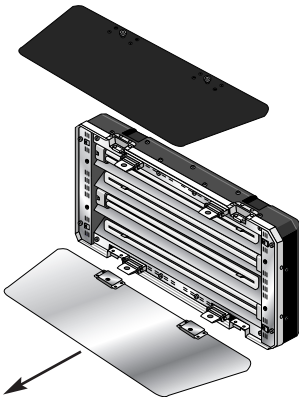


Light Controls

Barndoor/Intensifiers

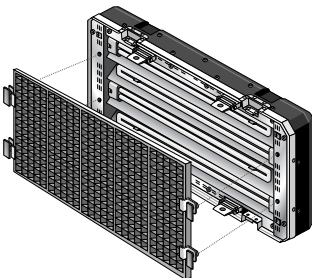
The dual purpose Barndoor/Intensifiers add versatility & output to the Caselite. With the mirror-finish Intensifier side facing in towards the lamps, output can be increased by approximately 40% depending on door positioning. The black Barndoor side can be useful in trimming the spill & output of the fixture.

To reverse the doors, open them fully & loosen the twist-locks on the black side. Slide the barndoor/intensifier straight out to remove. Flip the door & reinstall, turning the twist-locks to retighten.



Egg Crates

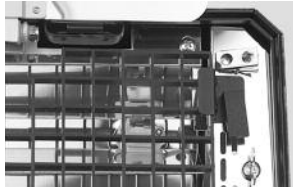
Caselite comes with a detachable plastic egg crate attached to the inside flap of the storage lid. It can be very useful in controlling spill of the light, with some loss of output. To remove, flip the release levers on each end of the egg crate and carefully remove. Snap egg crate onto fixture in front of lamps.



Gel Clips

Gel Clips are installed on each end of the fixture to hold gel pieces cut to the size of the lamp area. Use enclosed Lowel Gel-jaws clips when attaching a larger piece of diffusion material to the outside edges of the Barndoor/Intensifiers to further soften the light.

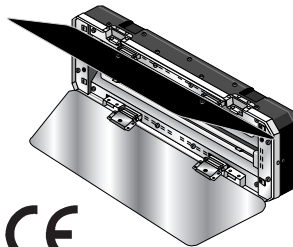
Note: by doing this you are creating a larger, and therefore softer, light-source.



Problems, Repairs &

Repairs, problems, suggestions and requests for brochures/catalogs, instructions and parts lists can be handled through your Authorized Lowel dealer/Distributor or directly through Lowel. Electrical repairs should be made only by Lowel or by a qualified electrician.

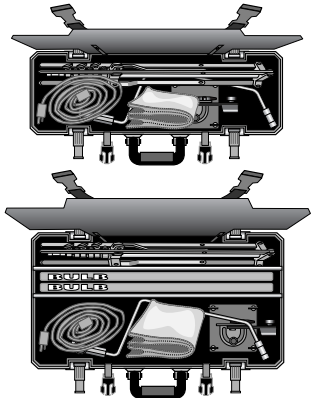
Caselites are designed and manufactured by Fluo-Tec, Mexico in collaboration with Lowel-Light Mfg., Inc.



Closing/Transporting

Replace eggcrate, if used, on the lid flap and snap its locks into the retaining holes. Fold Barndoor/Intensifiers in towards lamps. Loosen stand fitting at stand and remove unit & bracket from stand, laying fixture face down on a table/floor. Loosen large locking knob and remove the stud end of the Stand-fitting Tilt-bracket. Turn the 4 twist-lock knobs to unlock the Mounting Plate from the fixture and remove it. Place both Mounting Plate, Stand-fitting Tilt-bracket inside lid compartment, taking care that it will fully close. (If using kit version, place Uni Sr. Stand in lid also). See illus. below for most efficient packing order. Secure storage lid flap with locking straps. Laying the lid on its back, replace fixture on top and close the twist-lock brackets, turning them to securely lock the Caselite closed. If transporting the unit in rainy weather, use the optional rain cover to prevent leakage.

Note unit is not waterproof, avoid leaving closed unit exposed to rain or excessive dampness.



ver 2.2© 2010, Lowel-Light Mfg., Inc. 261

Lowel-Light Manufacturing, Inc.

90 Oser Avenue,
Hauppauge, NY 11788
Call: 800 645-2522
e-mail info@lowel.com
www.lowel.com

lowel 
TIFFEN